



Cooper & Turner Limited
 CONSTRUCTION . BRIDGE . TUNNEL . RAIL . WIND ENERGY . FASTENERS



RAIL FASTENERS

RAIL FASTENERS



MADE FOR A WORLDWIDE MARKET



Cooper & Turner Limited

CONSTRUCTION . BRIDGE . TUNNEL . RAIL . WIND ENERGY . FASTENERS

Cooper and Turner are one of the UK's leading manufacturers of industrial fasteners. Extensive manufacturing facilities, including both hot and cold forging, years of industry experience and an innovative product portfolio have led Cooper and Turner to become a trusted supplier to an ever widening range of industries worldwide.

For over 50 years Cooper and Turner have manufactured and supplied a comprehensive range of track fasteners to the world's railways.

Already an established British Standards Institution registered company, Cooper and Turner can supply product against many European and International standards as well as being Metronet Rail, Link-Up and TUV approved.

For more information on Cooper and Turner, its products and services please visit:

www.cooperandturner.co.uk



LX Screw

Concrete Bearer
Chairscrew

Chairscrew

SLEEPER SCREWS

Cooper and Turner are the UK's foremost supplier of sleeper screws for use in wood and concrete.

Diameters: M20 (3/4") - M24 (1")
Lengths: up to 300mm (12")
Finishes: Self Colour, Galvanized, Sherardized

Square and Rectangular heads available



CRA Retractable
Anchor System

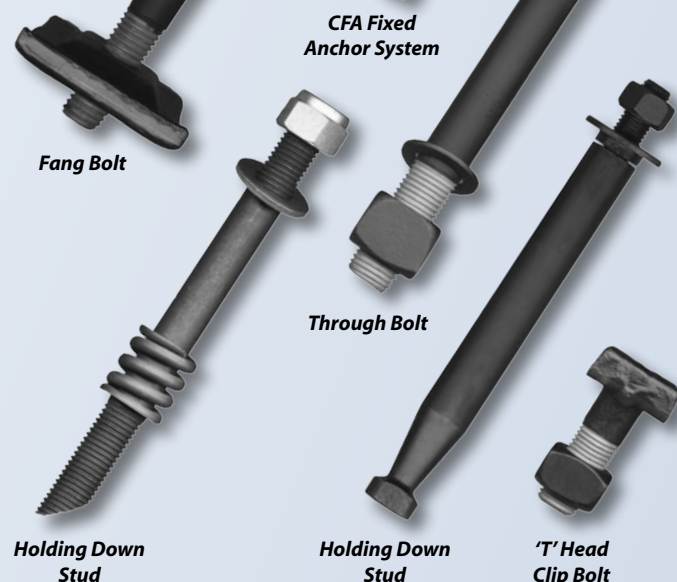
CFA Fixed
Anchor System

HOLDING DOWN BOLTS

A comprehensive range of holding down bolts and anchor systems are available.

Various diameters, sizes and designs are available for both fixed and retractable applications, including designs to suit customer requirements.

Some anchor bolts are available as complete systems including anchors, nuts, helical springs, spring washers, sockets, ferrules and resin.



Fang Bolt

Through Bolt

Holding Down
Stud

Holding Down
Stud

T' Head
Clip Bolt



Muckle Bolt

**Stud Bolt
(Top Hat Bolt)**

Stretcher Bar Bolt

**Square Round Square
'V' Grade Crossing Bolt**

Stock Rail Bolt

**Switch & Crossing
'V' Grade Bolt (Thin Head)**

Brown Stud

FISHBOLTS & NUTS

Years of experience in producing fasteners for the world's railways has led to the development of a comprehensive range of Fishbolts and Nuts.

Diameters: M16 ($\frac{5}{8}$ ") - M27 ($1\frac{1}{8}$ ")
 Lengths: As required
 Finish: Self Colour

Head shapes: Square Round Hex
 Square Round Square
 Cup Pear Square
 Pan Pear Square
 Cup Oval Hex
 Cup Pear Hex
 Cup Nib Hex

M24 (1") and M27 ($1\frac{1}{8}$ ") 'V' Grade fishbolts are also available.

A complete range of flat washers, through-hardened washers, spring washers, plain nuts, collared nuts and self-locking nuts are also available.

SWITCH & CROSSING BOLTS

Switch and crossing bolts and associated products form a large part of Cooper and Turner's rail fastening product range.

Diameters: M24 (1") and M27 ($1\frac{1}{8}$ ")
 Length: Up to 1000mm (40")
 Finish: Self Colour

These bolts are usually supplied complete with self-locking nuts.

The standard range is complimented by thin head stock rail bolts, stretcher bar bolts, T-head clip bolts and top hat stud bolts.



**Pan Pear Square
Fishbolt**

Renlok Nut

**Insulated Shank
Fishbolt**

**Square Round Black
Fishbolt**

RAIL FASTENERS

C&T PINS®

Cooper and Turners multigroove locking pins and collars are a fast and efficient solution for safety critical applications that utilises the performance characteristics of the latest hydraulic tooling.

Diameters: Imperial sizes 1/2", 5/8", 3/4", 7/8"
Metric sizes M25 and M28.5
Grip Lengths: 06 - 102 (Imperial)
12 - 507 (Metric)
Finishes: Self Colour, Zinc plated

Cup head, Cheese head and Countersunk available.



INJECTION MOULDED PARTS

In addition to Rail fasteners a broad range of injection moulded products in a variety of materials are offered including items made to customers own drawings and specifications.



Cooper & Turner Limited

CONSTRUCTION . BRIDGE . TUNNEL . RAIL . WIND ENERGY . FASTENERS

Sheffield Road

Sheffield

S9 1RS

United Kingdom

Tel: +44 (0) 114 256 0057

Fax: +44 (0) 114 244 5529

Email: info@cooperandturner.co.uk

www.cooperandturner.co.uk



INVESTORS IN PEOPLE



Cert No: FM0035

